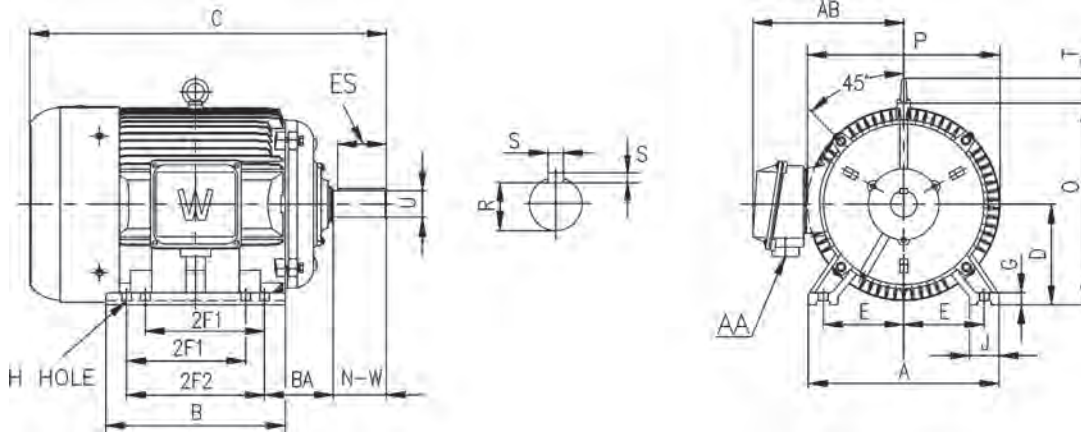


WORLDWIDE GENERAL PURPOSE MOTORS PREMIUM EFFICIENCY / HIGH EFFICIENCY

TEFC Enclosure ▪ Rigid Base

Three-Phase ▪ 208-230/460, 460 and 575 Volt



ALL DIMENSIONS IN INCHES

Frame	E	2F1	2F2	H	BA	A	B	C	D	G	J	P	O	T	AB	S	ES	R	N-W	U	AA
PEWWE-143T	2.75	4	5	0.34	2.25	7	6	13.46	3.5	0.472	1.42	7.09	7.48	---	6.3	0.188	1.42	0.771	2.25	0.875	¾
PEWWE-145T	2.75	4	5	0.34	2.25	7	6	14.77	3.5	0.472	1.42	7.09	7.48	---	6.3	0.188	1.42	0.771	2.25	0.875	¾
PEWWE-182T-2P-6P	3.75	4.5	5.5	0.43	2.75	9	7.1	15.9	4.5	0.59	1.97	9.06	8.97	---	7.48	0.25	1.78	0.986	2.75	1.125	1
PEWWE-182T-4P	3.75	4.5	5.5	0.43	2.75	9	7.1	17.91	4.5	0.59	1.97	9.06	8.97	---	7.48	0.25	1.78	0.986	2.75	1.125	1
PEWWE-184T-2P-6P	3.75	4.5	5.5	0.43	2.75	9	7.1	15.9	4.5	0.59	1.97	9.06	8.97	---	7.48	0.25	1.78	0.986	2.75	1.125	1
PEWWE-184T-4P	3.75	4.5	5.5	0.43	2.75	9	7.1	17.91	4.5	0.59	1.97	9.06	8.97	---	7.48	0.25	1.78	0.986	2.75	1.125	1
PEWWE-213T	4.25	5.5	7	0.43	3.5	10.4	8.8	20.19	5.25	0.709	2.36	10.4	10.53	1.73	8.66	0.312	2.41	1.201	3.38	1.375	1
PEWWE-215T	4.25	5.5	7	0.43	3.5	10.5	10.3	21.69	5.25	0.709	2.36	10.4	10.53	1.73	8.66	0.312	2.41	1.201	3.38	1.375	1
PEWWE-254T	5	8.25	10	0.53	4.25	12.5	12.5	25.06	6.25	0.787	2.76	12.6	12.89	2.05	11.2	0.375	2.91	1.416	4	1.625	1.5
PEWWE-256T	5	8.25	10	0.53	4.25	12.4	14.3	27.83	6.25	0.787	2.76	12.6	12.89	2.05	11.2	0.375	2.91	1.416	4	1.625	1.5
PEWWE-284T	5.5	9.5	---	0.53	4.75	14	12.5	28	7	0.866	2.76	14.17	14.28	2.05	12	0.5	3.28	1.591	4.62	1.875	1.5
PEWWE-284TS	5.5	9.5	---	0.53	4.75	14	12.5	26.63	7	0.866	2.76	14.17	14.28	2.05	12	0.375	1.91	1.416	3.25	1.625	1.5
PEWWE-286T	5.5	9.5	11	0.53	4.75	14	14	29.57	7	0.866	2.76	14.17	14.28	2.05	12	0.5	3.28	1.591	4.62	1.875	1.5
PEWWE-286TS	5.5	9.5	11	0.53	4.75	14	14	28.2	7	0.866	2.76	14.17	14.28	2.05	12	0.375	1.91	1.416	3.25	1.625	1.5
PEWWE-324T	6.25	10.5	12	0.66	5.25	16	15.5	30.63	8	0.984	2.76	15.75	15.91	2.44	13.4	0.5	3.91	1.845	5.25	2.125	2
PEWWE-324TS	6.25	10.5	12	0.66	5.25	16	15.5	29.1	8	0.984	2.76	15.75	15.91	2.44	13.4	0.5	2.03	1.591	3.75	1.875	2
PEWWE-326T	6.25	10.5	12	0.66	5.25	16	16.5	32.2	8	0.984	2.76	15.75	15.91	2.44	13.4	0.5	3.91	1.845	5.25	2.125	2
PEWWE-326TS	6.25	10.5	12	0.66	5.25	16	16.5	30.67	8	0.984	2.76	15.75	15.91	2.44	13.4	0.5	2.03	1.591	3.75	1.875	2
PEWWE-364T	7	11.25	---	0.66	5.88	18	16.78	35.04	9	1.102	2.95	17.7	18.13	2.835	15.7	0.625	4.28	2.021	5.88	2.375	3
PEWWE-364TS	7	11.25	---	0.66	5.88	18	16.78	32.92	9	1.102	2.95	17.7	18.13	2.835	15.7	0.5	2.03	1.591	3.75	1.875	3
PEWWE-365T	7	11.25	12.25	0.66	5.88	18	18.35	36.62	9	1.102	2.95	17.7	18.13	2.835	15.7	0.625	4.28	2.021	5.88	2.375	3
PEWWE-365TS	7	11.25	12.25	0.66	5.88	18	18.35	34.5	9	1.102	2.95	17.7	18.13	2.835	15.7	0.5	2.03	1.591	3.75	1.875	3
PEWWE-404T	8	12.25	---	0.81	6.62	20	16.2	36.81	10	1.18	3.15	21.42	21.02	2.83	18.31	0.75	5.65	2.45	7.25	2.875	3
PEWWE-405T	8	12.25	13.75	0.81	6.62	20	17.8	38.35	10	1.18	3.15	21.42	21.02	2.83	18.31	0.75	5.65	2.45	7.25	2.875	3
PEWWE-405TS	8	12.25	13.75	0.81	6.62	20	17.8	35.35	10	1.18	3.15	21.42	21.02	2.83	18.31	0.5	2.78	1.845	4.25	2.125	3
PEWWE-444T	9	14.5	---	0.81	7.5	22	18.5	42.52	11	1.38	3.35	23.43	22.97	3.46	19.41	0.875	6.91	2.88	8.5	3.375	2 x 3
PEWWE-444TS	9	14.5	---	0.81	7.5	22	18.5	38.94	11	1.38	3.35	23.43	22.97	3.46	19.41	0.625	3.03	2.021	4.75	2.375	2 x 3
PEWWE-445T	9	14.5	16.5	0.81	7.5	22	20.5	44.5	11	1.38	3.35	23.43	22.97	3.46	19.41	0.875	6.91	2.88	8.5	3.375	2 x 3
PEWWE-445TS	9	14.5	16.5	0.81	7.5	22	20.5	40.71	11	1.38	3.35	23.43	22.97	3.46	19.41	0.625	3.03	2.021	4.75	2.375	2 x 3
PEWWE-4457T	9	16.5	20	0.81	7.5	22	24	48.03	11	1.38	3.35	23.43	22.97	3.46	19.41	0.875	6.91	2.88	8.5	3.375	2 x 3
PEWWE-4457TS	9	16.5	20	0.81	7.5	22	24	44.25	11	1.38	3.35	23.43	22.97	3.46	19.41	0.625	3.03	2.021	4.75	2.375	2 x 3
PEWWE-449T	9	25	---	0.81	7.5	22	31	55.51	11	1.575	3.35	24	23	4.25	19.07	0.875	7.01	2.88	8.5	3.375	2 x 3
PEWWE-449TS	9	25	---	0.81	7.5	22	31	51.8	11	1.575	3.35	24	23	4.25	19.07	0.625	3.15	2.021	4.72	2.375	2 x 3

MOTOR DIMENSIONS

Dimensions shown in this catalog are for general use only.
For an exact drawing on a specific rating, please contact our sales office.

Continued On Next Page

